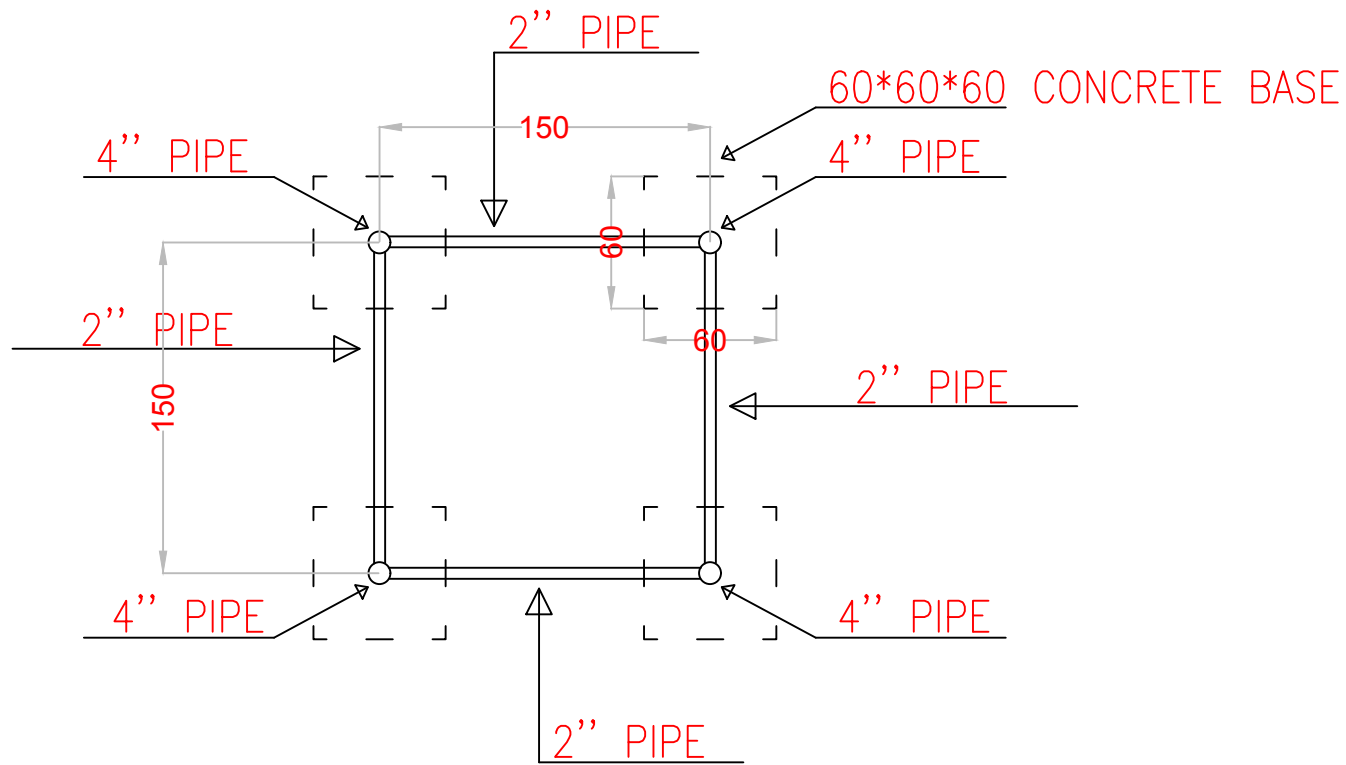


SEPTIC TANK MANHOLE PROTECTION WALL
TOP VIEW



TYPE OF MATERIALS: STEEL PIPES 3/14" WALL THICKNESS

DRAWING TITLE:
SEPTIC TANK MANHOLE PROTECTION WALL
TOP VIEW

PROJECT
SEPTIC TANK MANHOLE

CLIENT
WEST BANK WATER DEPARTMENT

DESIGNED BY:
ENG. MOHAMMED ABU AYYASH
MOBILE NO.: 0599-766272

CHECKED BY:
ENG. ZAIDAN HURAINI
MOBILE NO.: 0598-423122

DATE: 18-06-2017

REV.0

SHEET NO.: 1/2